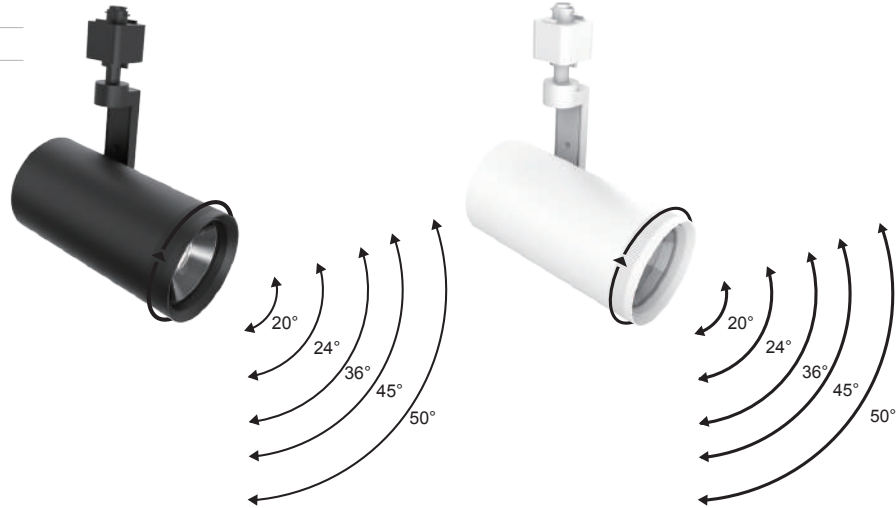
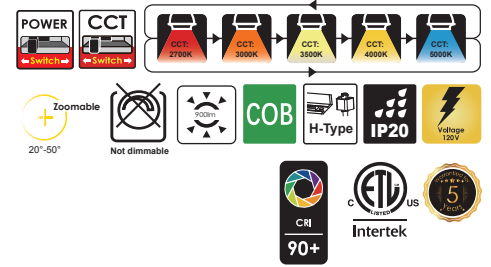


Project : _____
 Type : _____
 Drawn by : _____
 Catalogue No. : _____
 Date : _____



Specifications

Model No.		<input type="checkbox"/> TT-TL04-20W-TCP-(20-50)-L-W	<input type="checkbox"/> TT-TL04-20W-TCP-(20-50)-L-B
General	Watts	20/15/10W	20/15/10W
	Halogen Equivalent	50-250W	50-250W
	Lumen	900-1800lm	900-1800lm
	Base	halo base	halo base
	CCT	27/30/35/40/50K	27/30/35/40/50K
	Volts	AC120V	AC120V
	CRI	90	>90
	Beam Angel	20-50°	20-50°
Hours Rated	50000 hours	50000 hours	
Electrical	Operating Frequency	60Hz	60Hz
	Power Factor	>0.9	>0.9
	Operating Position	Damp Location	Damp Location
	Surge Protection	4KV	4KV
	Operating Temperature	-4°F~113°F	-4°F~113°F
Physical	Lens Material	Glass	Glass
	Housing Color	White	Black
Additional Information	Additional Info	CCT+Power adjustable	CCT+Power adjustable
	Rated For Enclosed Fixture	NO	NO
	Warranty	5 Years	5 Years
Compliance	Safety Listing	ETL Listed	ETL Listed
	Location Rating	Damp	Damp
	Energy Star	No	No
	DLC Approved	Premium 5.1	Premium 5.1
DLC ID	S-JGLFPT	S-JGLFPT	

Features & Specifications

Construction

- Cold-forged aluminum heat sinks, which are optimal for heat control to ensure quality
- Can pivot +/-90° vertically and rotate 350° horizontally.
- CCT and power selector switch in housing
- With halo base
- Daisy connection with very convenient replacement in 1 minute

Mounting

Available with suspending installation and surface-mounted installation

Performance Data

- 20/15/10W, 2700K/3000/3500/4000/5000K selectable
- 90+ CRI
- Electrical ratings: AC120V
- High-Efficacy with precise Center Beam Candle Power
- No dimming
- Cold-forged aluminum heat sinks, which are optimal for heat control to ensure quality
- Operating temperature: -20°C ~45°C (-4°F~113°F)

Compliances

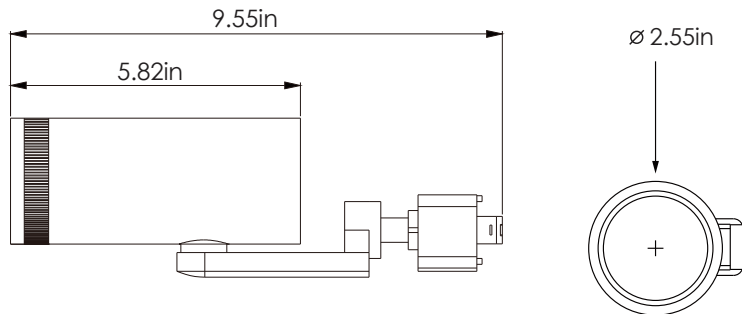
- ETL certified for damp locations
- IP20
- DLC Premium

application

- Stores, Showrooms, Restaurants, and various Commercial & Residential spaces.

Dimensions & Weights

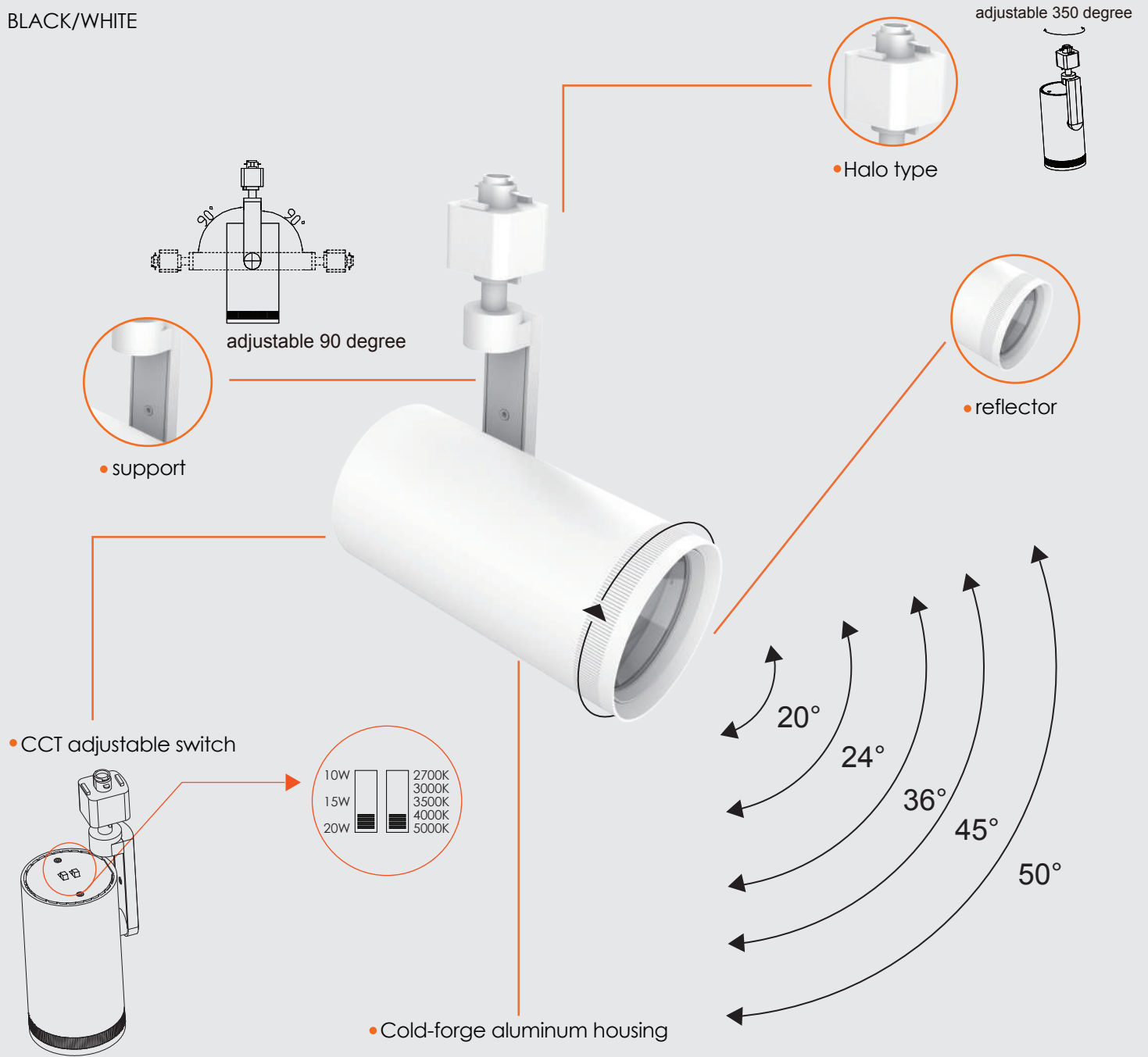
Model	TL04-20W
Diameter in.(cm)	2.55in(6.5cm)
Height in. (cm)	5.82in(14.8cm) 9.55in(24.275cm)
Net weight lbs (kg)	2.09 lb(0.95kg)



TL04-20W

Product Details

BLACK/WHITE



Installation

3 track lights can be installed in 1 ft of the tracks with 1 adapter, and 12 track lights can be installed in 4 ft of the tracks with 1 adapter

Accessories(Order Separately)

Order Code	Accessory Name	Compatibile with
PRO-0302A/WH PRO-0302A/BK	2FT , Halo-Style , 3-Wire Track White / Black	Halo Track
PRO-0304A/WH PRO-0304A/BK	4FT , Halo-Style , 3-Wire Track White / Black	Halo Track
PRO-0308A/WH PRO-0308A/BK	8FT , Halo-Style , 3-Wire Track White / Black	Halo Track
PRO-0331/WH PRO-0331/BK	Conduit End Feed White / Black	Halo Track
PRO-0332/WH PRO-0332/BK	End Cap White /Black	Halo Track
PRO-0333/WH PRO-0333/BK	Mini Connector White / Black	Halo Track
PRO-0335/WH PRO-0335/BK	"L" Connector White / Black	Halo Track
PRO-0336/WH PRO-0336/BK	"T" Connector White / Black	Halo Track
PRO-0337/WH PRO-0337/BK	"x" Connector White / Black	Halo Track
PRO-0339/WH PRO-0339/BK	Flexible Connector (flexible wire in middle part) White/Black	Halo Track
PRO-0344/WH PRO-0344/BK	Live End Conduit Connector	Halo Track
PRO-0341/WH PRO-0341/BK	Floating Canopy Feed White / Black	Halo Track



End Cap



Halo-Style 3-Wire Track-2FT/4FT/8FT



"T" Connector



Flexible Connector



Conduit End Feed



"x" Connector to



Mini Connector



Live End Conduit Connector



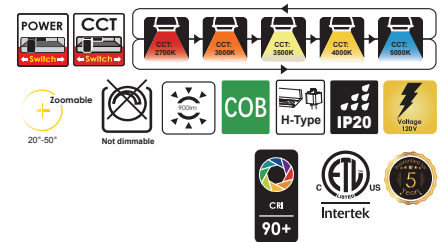
"L" Connector



Floating Canopy Feed

Lumen Details

Model	Power	2700K		3000K		3500K		4000K		5000K	
		Luminous Flux	Input Voltage	Luminous Flux	Input Voltage	Luminous Flux	Input Voltage	Luminous Flux	Input Voltage	Luminous Flux	Input Voltage
TT-TL04-20W-TCP-(20-50)-L-W	10/15/20W	1485.2	AC120V	1568.4	AC120V	1639	AC120V	1771.2	AC120V	1667.8	AC120V
TT-TL04-20W-TCP-(20-50)-L-B	10/15/20W	1485.2	AC120V	1568.4	AC120V	1639	AC120V	1771.2	AC120V	1667.8	AC120V



Data is based upon tests performed in a controlled environment. Actual performance can vary depending on operating conditions. All products are subject to change or may be discontinued any time without notice. Please contact your Votatec customer service representative to confirm inventory levels at time of order

