

LED Linear High Bay 2.6FT

SKU: AA-900077UCCTW



Description

The Elakeview LED Linear Highbay provides high lumen efficacy and energy savings to projects in high ceiling applications. This highbay is an excellent energy efficient replacement for HID or fluorescent fixture.

Features

- DLC Premium Listed
- AC120-347V
- Class2 0-10V Dimming Driver, 4/6KV Surge Protector, W/Overtemperature Protection
- L70: 100,000 Hours
- 4000K/5000K Selectable
- 200/230/270W Selectable
- Efficacy: 155LM/W
- Receptacle For Microwave Dimming Sensor (Sensor Sold Separately)
- Damp Location Rated
- CRI: >80
- Mounting V-Hooks Provided
- Optional Pendant Mount
- 10 Year Warranty. Extended Warranty Available

Applications



Office Buildings



Industrial Spaces



Gymnasiums



Retail Stores

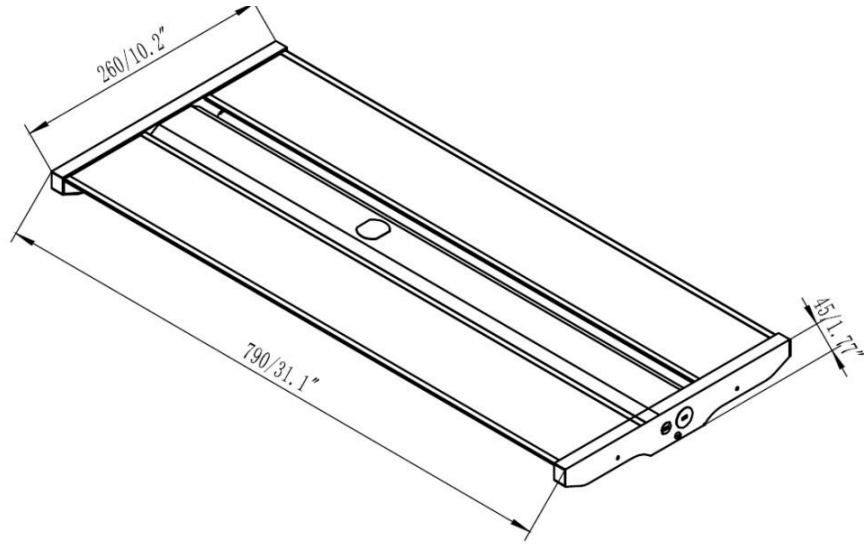


Ordering Information



SKU	Model	DLC Product ID	CRI	Voltage	Wattage	Efficacy	Lumens	CCT	Finish	Size
AA-900073UCCTW	LHBSL92WUCCTW	S-UZ7NKY	81	AC120-347V	78/92/115W	155LM/W	12090-17365LM	4000/5000K	White	1.4FT
AA-900075UCCTW	LHBSL155WUCCTW	S-OJLH1G	81	AC120-347V	135/155/185W	155LM/W	20925-29735LM	4000/5000K	White	1.9FT
AA-900077UCCTW	LHBSL230WUCCTW	S-0NGXQE	81	AC120-347V	200/230/270W	155LM/W	30800-40770LM	4000/5000K	White	2.6FT
AA-900079UCCTW	LHBSL340WUCCTW	LHBSL340	81	AC120-347V	270/340/400W	150LM/W	40500-60000LM	4000/5000K	White	3.7FT

Dimensions



Mounting Options

Sold Separately



Pendant Mount
SKU: AA-LHPMKIT



Linear Highbay Surface Mounting Kit
SKU: AA-LHPSMKIT2

Accessories

Sold Separately



PIR Sensor
SKU: AA-SENPIR-ANT4D



LED Emergency LED Driver
SKU: AA-EmergencyLEDdriver-LHB



Constant Current LED Driver
SKU: AA-BP-AL96H2000-03-63



Wireless Handheld Configuration Tool
Model: RC-100